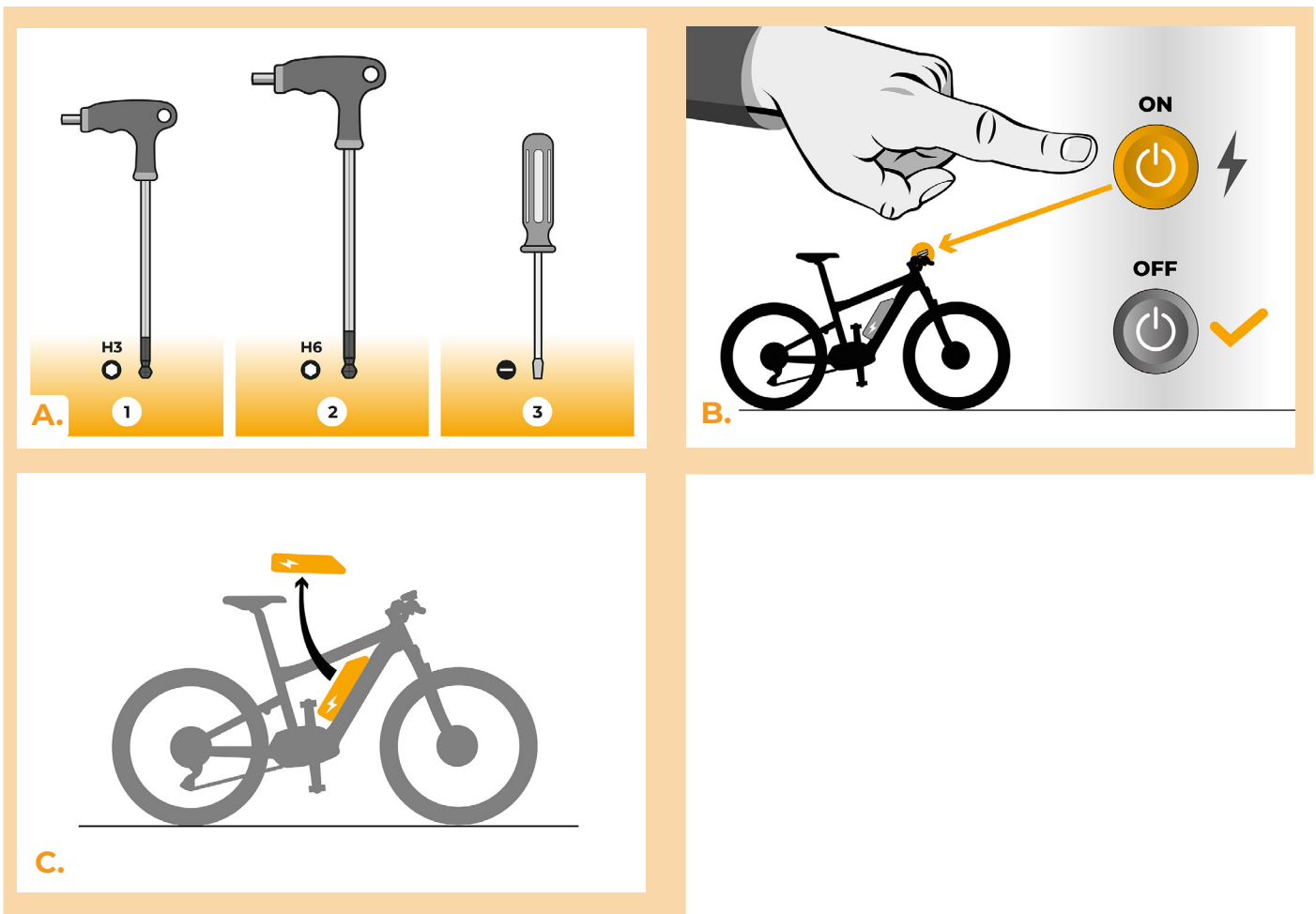


SpeedBox 3.0 B.Tuning for Yamaha

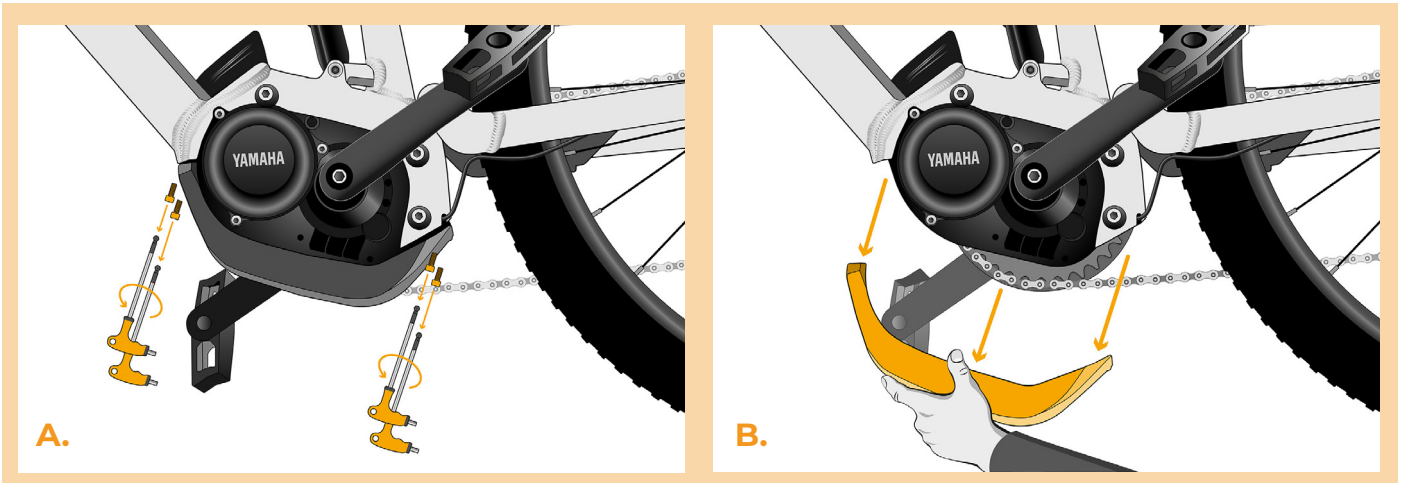
STEP 1: Preparation for installaion

- A.** Prepare the following tools:
1. Hex Key H3
 2. Hex Key H6
 3. precision slotted screwdriver
- B.** Turn off the e-bike.
- C.** Remove the battery from the e-bike according to the manufacturer's manual.



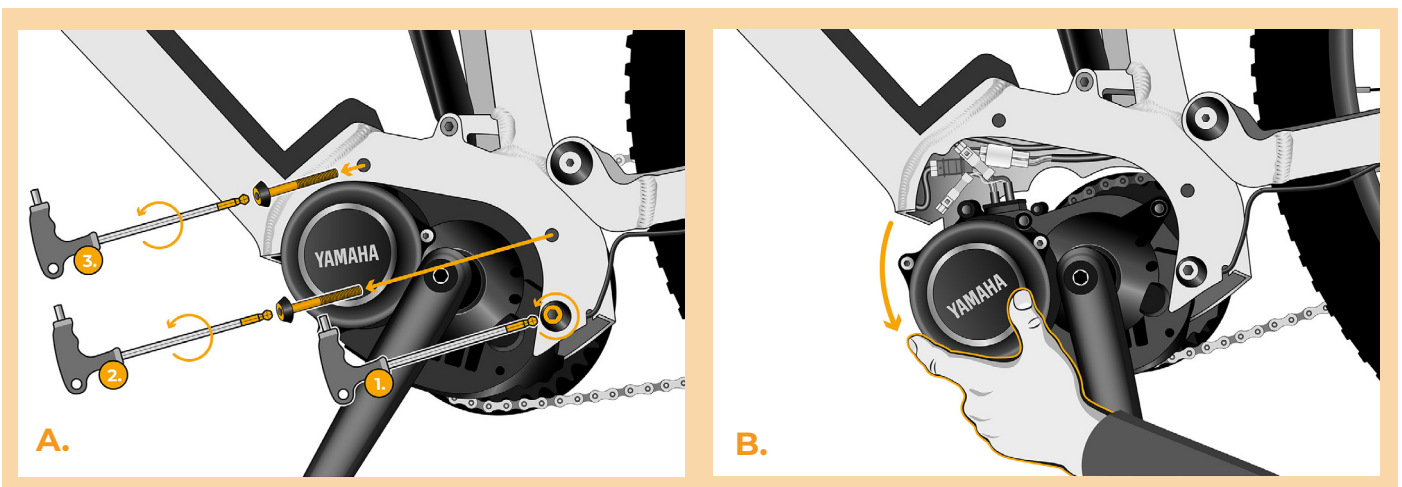
STEP 2: Crank removal

- A. Unscrew the four screws holding the motor cover with the Hex Key H3.
- B. Remove the motor cover.



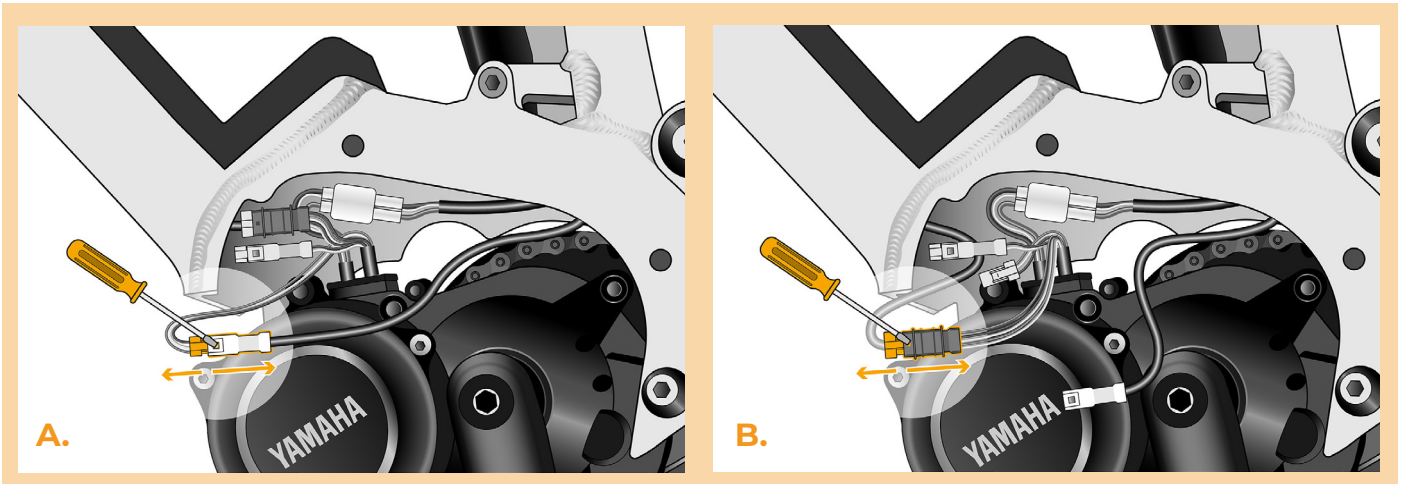
STEP 3: Lowering the Motor

- A. Slightly loosen the bottom screw holding the motor. Unscrew the upper two screws with the hex key H6 and pull them out.
- B. Carefully tilt the motor out of the e-bike frame to access the motor connectors and wiring.



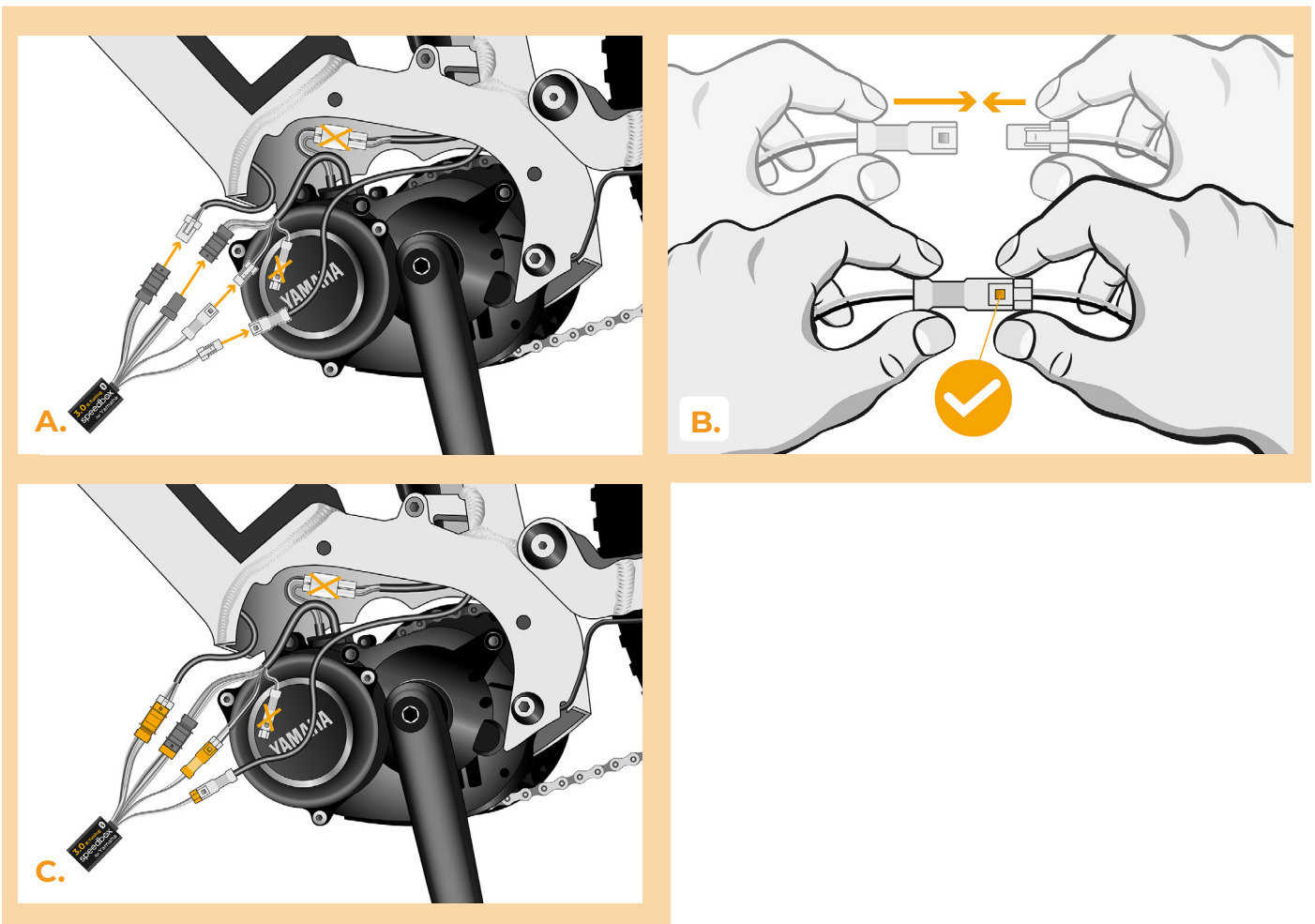
STEP 4: Disconnecting the connectors from the motor

- A. Disconnect the speed sensor connector with the slotted screwdriver.
- B. Disconnect the display connector in the same manner.



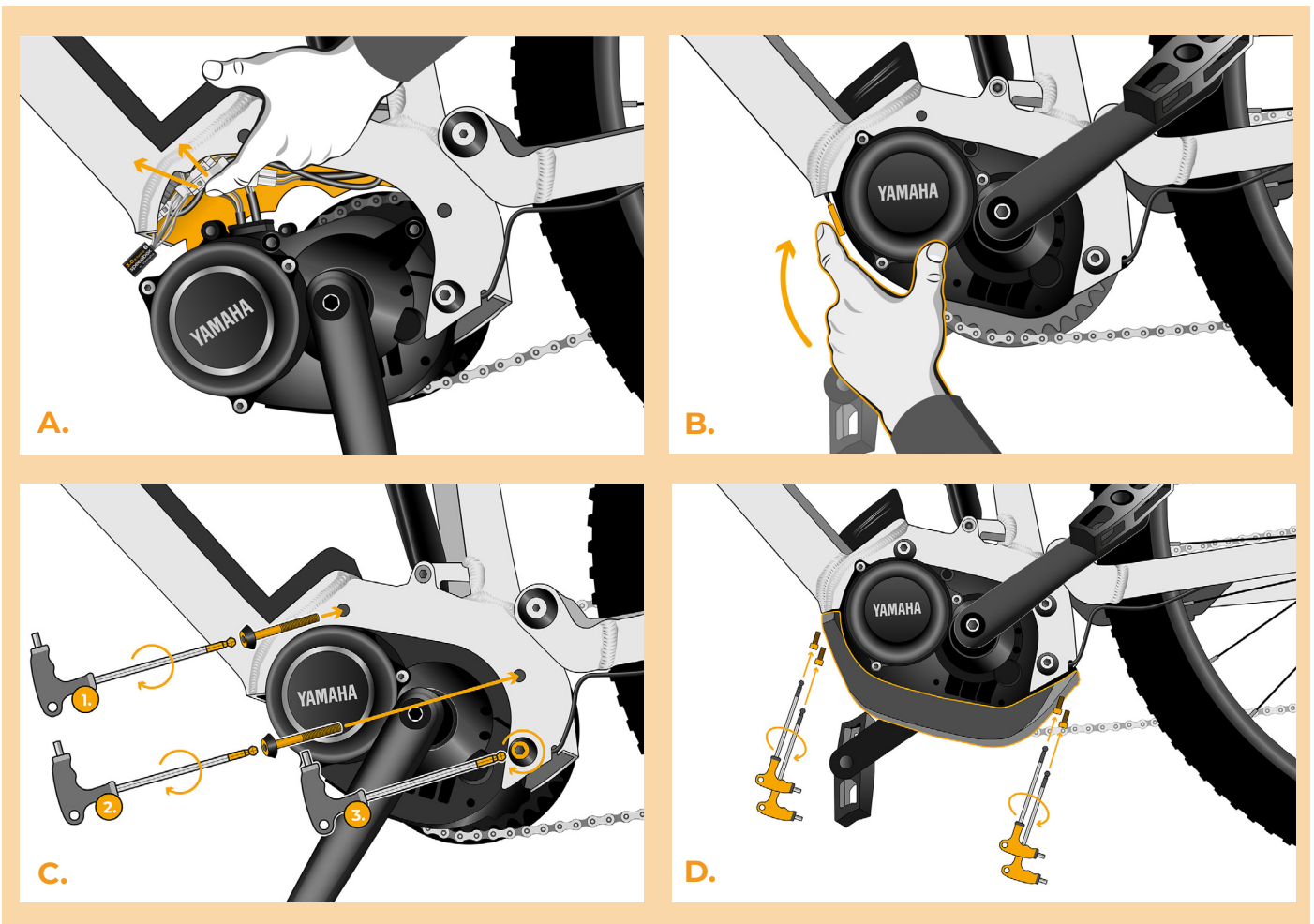
STEP 5: SpeedBox tuning installation

- A.** Plug SpeedBox into the disconnected connectors (step 4).
- B.** Make sure that the locks on the connectors are seated properly.
- C.** Before assembling the motor, check the correct wiring as shown in the figure.



STEP 6: Motor cover assembly

- A.** Place the connectors and wiring leading from the motor back into the free space in the e-bike frame. SpeedBox tuning chip should be out of the frame so that the metal frame of the e-bike does not block the Bluetooth signal.
- B.** Return the motor to its original position and be careful not to accidentally damage the cables.
- C.** Screw in the screws holding the motor in the frame and tighten well.
- D.** Place and screw the plastic engine cover back in place.

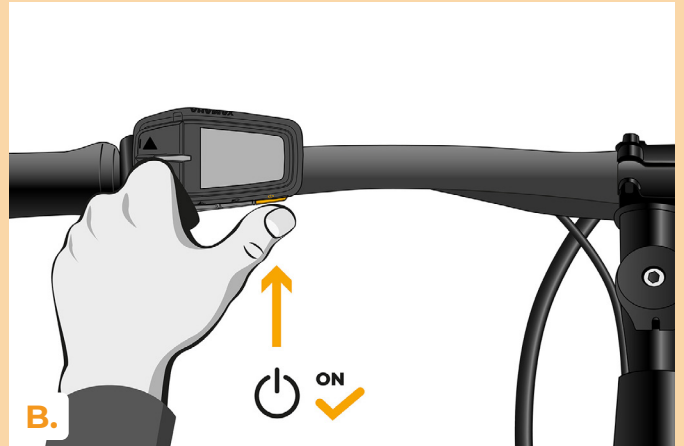


STEP 7: Tuning function check

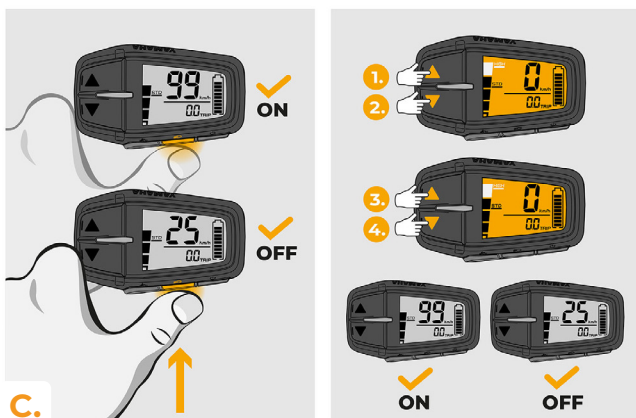
- A. Place the battery back into the e-bike.
- B. Turn the e-bike on.
- C. You will activate/deactivate SpeedBox by pressing the LIGHT button shortly or by switching between two assistance modes twice (+--+). The value of 99 or 25 will be shown indicating the maximum speed limit in km/h.
- D. Spin the rear wheel and make sure the rear wheel speed is shown on the e-bike display.



A.



B.



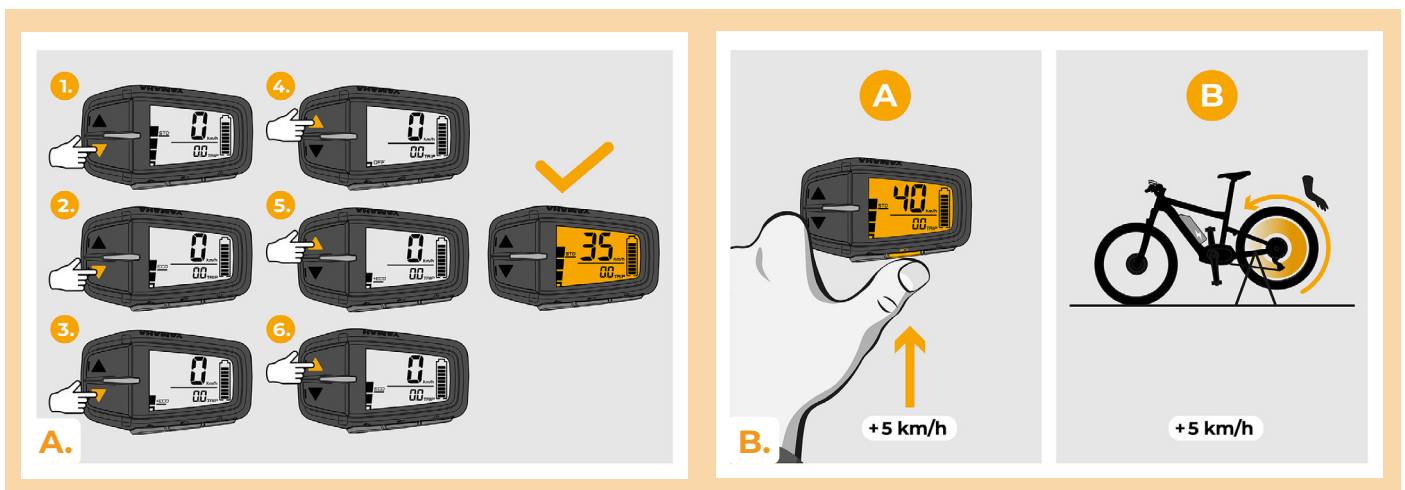
C.



D.

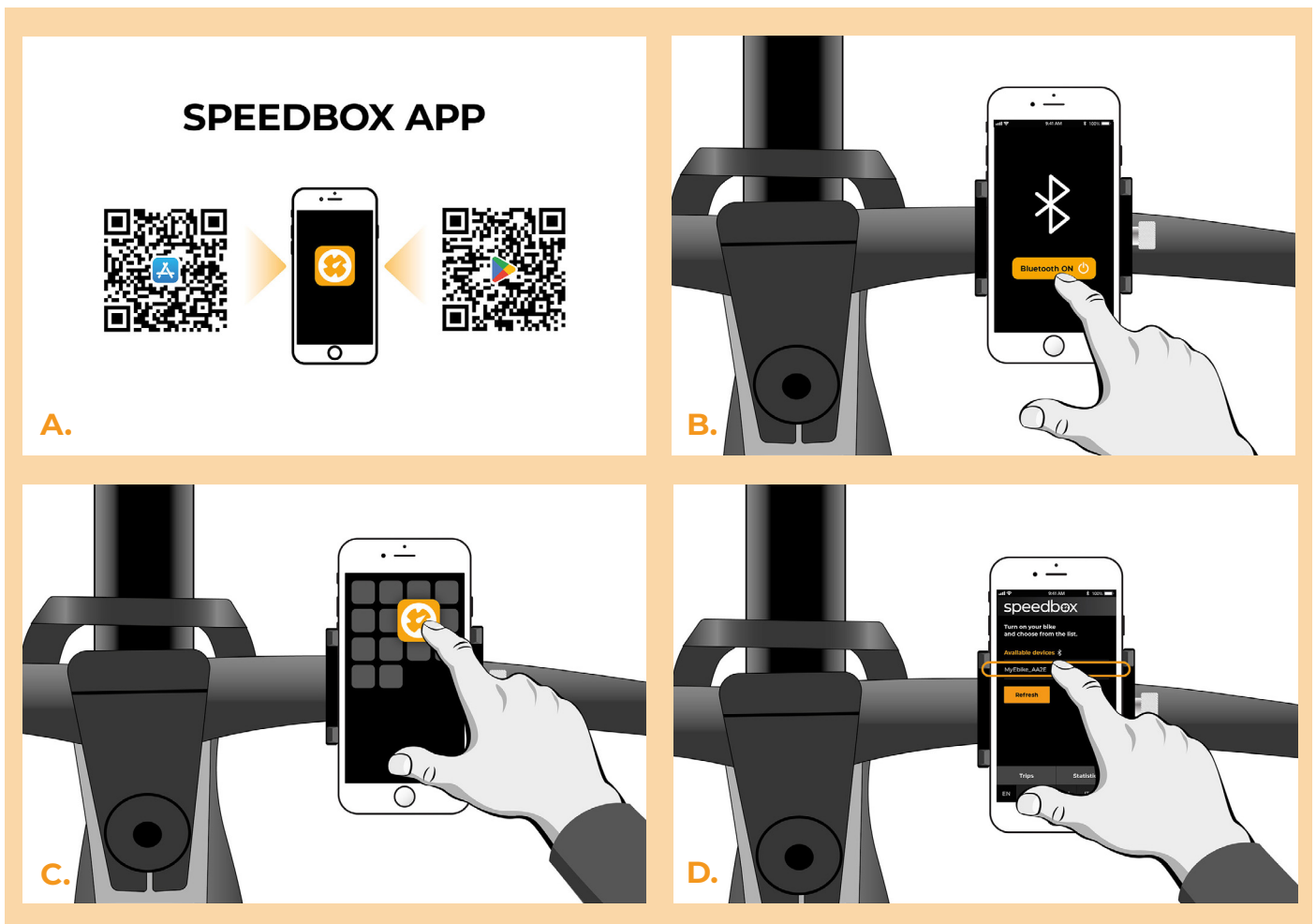
STEP 8: Setting the speed limit

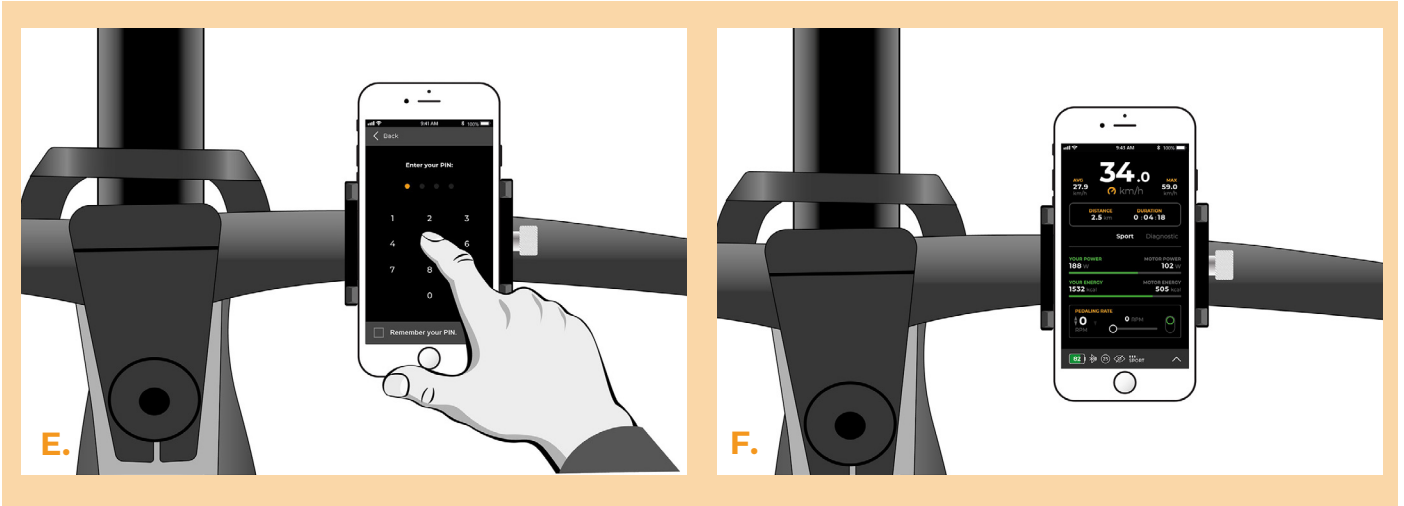
- A.** Set HIGH mode. Switch between the assistance modes briefly in the following order HIGH-> STD-> ECO-> ECO+ -> ECO-> STD-> HIGH, i.e. go three levels down and three levels up. The current speed limit will be displayed.
- B.** Set the maximum speed limit by pressing the LIGHT button briefly or by turning the rear wheel 360°. With each push on the button or turning of the wheel, the limit will increase by 5 km/h.



STEP 9: Pairing SpeedBox with the SpeedBox App

- A.** Install the SpeedBox App from Google Play or App Store.
- B.** Turn on Bluetooth on your phone.
- C.** Open the SpeedBox App. Enable location services if prompted.
- D.** Select the device MyEbike_xxxx. If you do not see it in the list, click on the “Refresh” button and, if necessary, make sure that:
 1. Your e-bike is switched on.
 2. You are not further than 5 m from your e-bike.
 3. You have Bluetooth turned on on your mobile phone.
 4. You have enabled location services for the SpeedBox App.
- E.** Choose and confirm your PIN and service password.
- F.** Now you can fully enjoy the SpeedBox App (control tuning, monitor riding data, and information about motor performance and energy consumption, you can set the speed limit, etc.).





www.speedbox-tuning.com

Ebike Electronic s.r.o.

Rybna 716/24 | 110 00 Praha 1 | Czech Republic | ID: 05553555 | VAT: CZ05553555



