

SpeedBox HOLDER

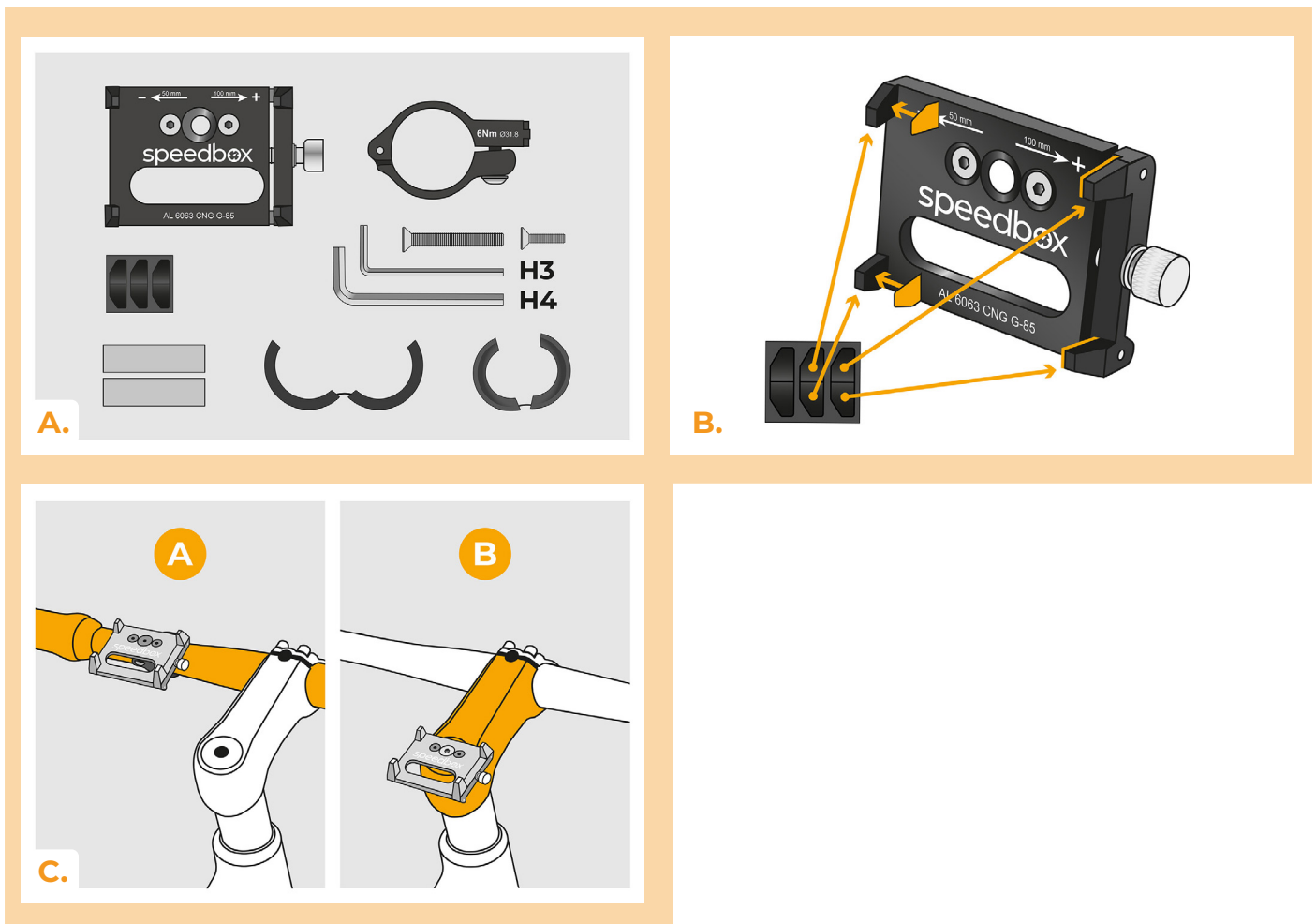
STEP 1: Preparation for installation

A. Package Contents:

1. Phone holder
2. Anti-slip pads
3. Adapter
4. Reduction sleeves - three types
5. Screws M3x23 and M6x40
6. Hex Key H3
7. Hex Key H4

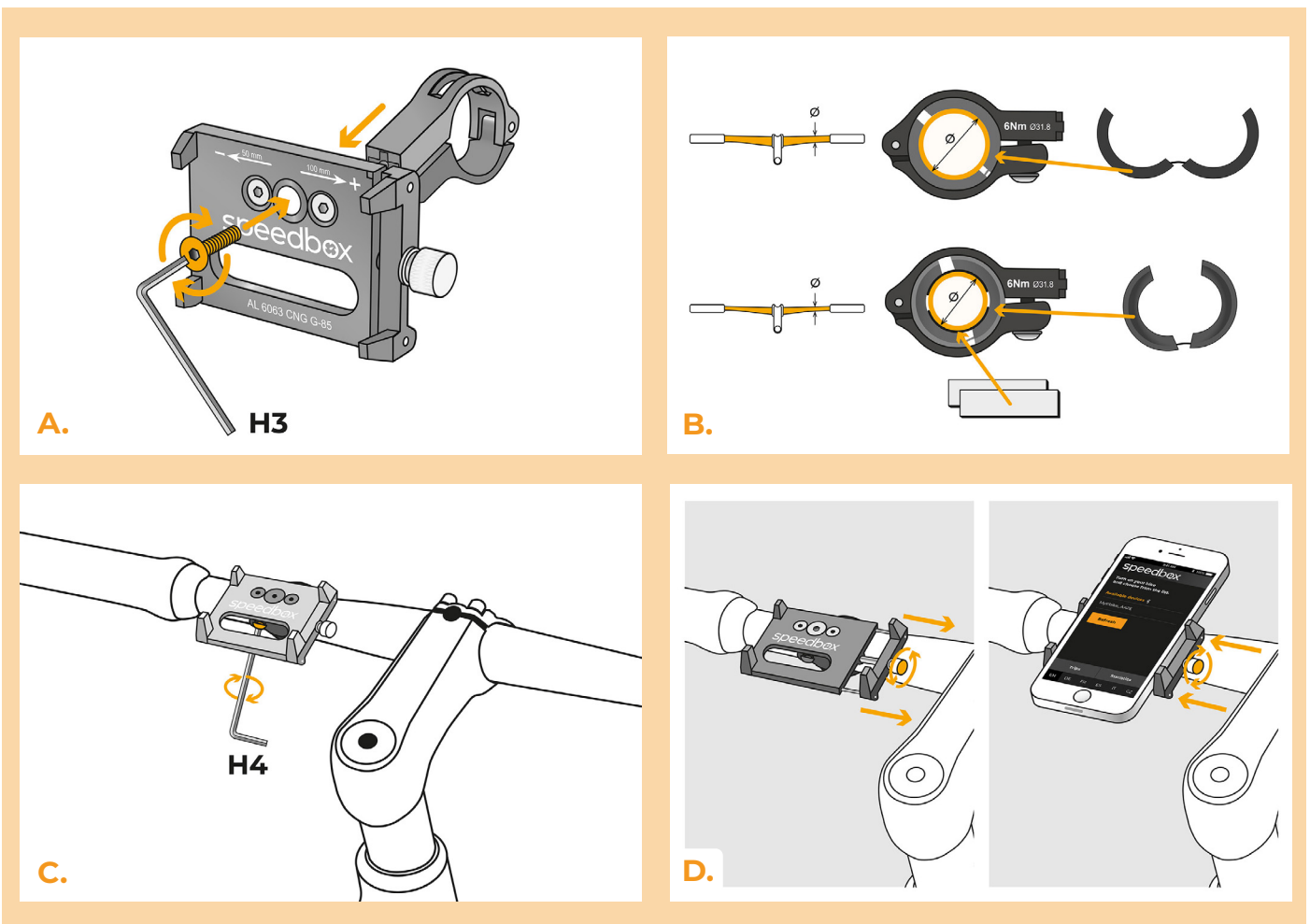
B. Stick the anti-slip pads to the inside of the holder's jaws.

C. Choose the handlebar mount version A or the e-bike stem mount version B.



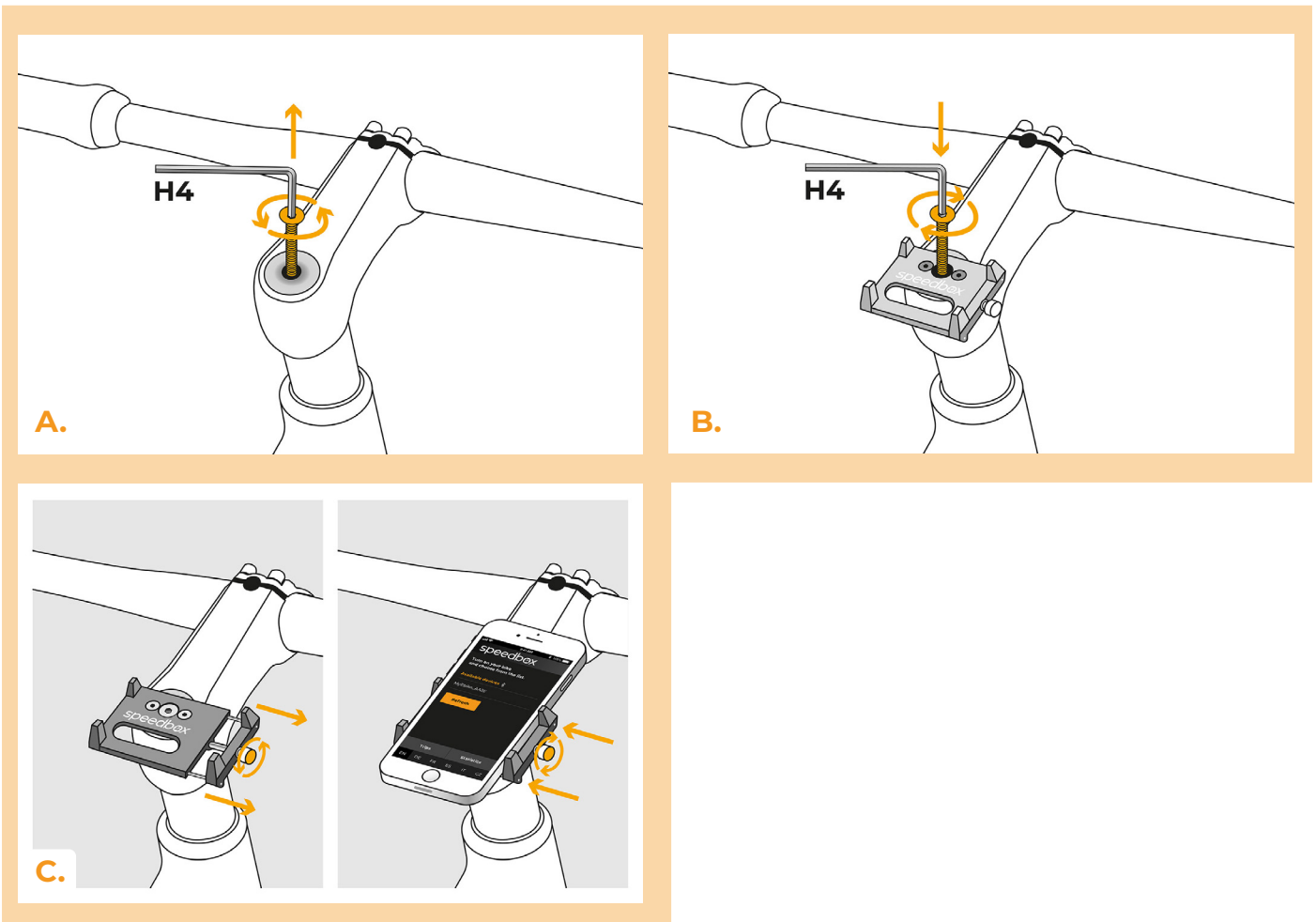
STEP 2: Montage A on the handlebars

- A.** Screw the phone holder to the adapter with a short screw (M3×23) using the hex key H3.
- B.** Choose the right reduction sleeve according to the diameter of the handlebars and insert it into the adapter.
- C.** Attach the mobile phone holder to the handlebars. Pay attention to the correct distance so that the holder does not affect the handling of your bike. Tighten the adapter from below with the hex key H4.
- D.** Using the screw on the right side, open the jaws to the width of the mobile phone, insert the mobile phone, and tighten the jaws with the screw.



STEP 3: Montage B on the stem

- A.** Unscrew the screw from the stem using the hex key H4.
- B.** Screw the phone holder with a long screw (M6×40) in place of the removed screw.
- C.** Using the screw on the right side, open the jaws to the width of the mobile phone, insert the mobile phone, and tighten the jaws with the screw.





www.speedbox-tuning.com

Ebike Electronic s.r.o.

Rybna 716/24 | 110 00 Praha 1 | Czech Republic | ID: 05553555 | VAT: CZ05553555

